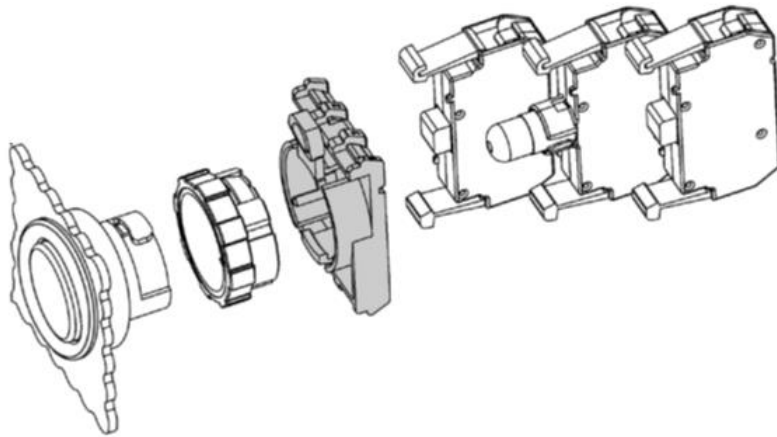


Pushbuttons & Pilot Devices

B5 Series, 30mm, IP65  Type 12

Features:

- Wiping action bi-furcated contacts for low voltage and signal switching applications
- Laser-etched markings ensure clear and long lasting identification.
- Climate and pollution resistant
- Custom markings are available
- Listed to IP65 / UL Type 12
- Available in individual parts, and kit form for convenience
- Easy to assemble with click together components:



Trim ring colours:



BS5.. = Black



BC5.. = Chrome



B5.. = Aluminum

Pushbuttons & Pilot Devices

B5 Series, 30mm, IP65  Type 12

Common actuator types:

Order Code	Function
B(..)5D ..	Momentary
B(..)5DL ..	Momentary Illuminated
B(..)5DR ..	Maintained
B(..)5DLR ..	Maintained Illuminated
B(..)5KN..	Selector switch - Refer catalogue for full details
B(..)5KRN..	Swing knob selector switch - Refer catalogue for full details
B(..)5P..	Mushroom & E/Stop buttons - Refer catalogue for full details
B5R ..	Pilot light
B(..)5SA	Key operated

!Please refer to the catalogue on our website for the full range and technical information!

Actuator cap colours and order code:

- Green = GN
- Red = RT
- Black = SW
- White = WS
- Yellow = GE
- Blue = BL

A full selection of accessories for the B5 series including contact blocks, shrouds, lamps and lamp holders, enclosures, boots and more are available:



Pushbuttons & Pilot Devices

B5 Series, 30mm, IP65  Type 12

Individual piece ordering examples:



B5D GN

Non maintained, Aluminium trim ring, green actuator



B3S

Connector Block (.5-4mm panel thickness)



B3T01

10A N/C Contact block



B3T10

10A N/O Contact block

Pushbutton kit ordering code example:



B5KN2/20

B5 Series Aluminium trim ring

KN2 = 2Pos Maintained (60Deg)

2x N/O Contact blocks

*Standard B3S connector is supplied with kits unless otherwise requested.

Please refer to the catalogue on our website for the complete range and full technical information!

Pushbuttons & Pilot Devices

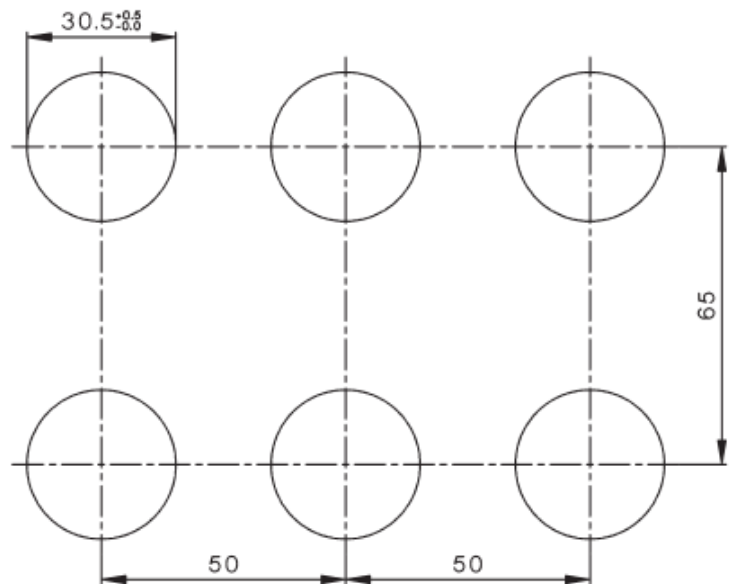
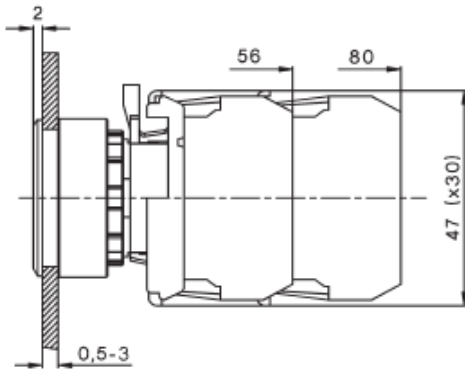
B5 Series, 30mm, IP65  Type 12

Dimensions

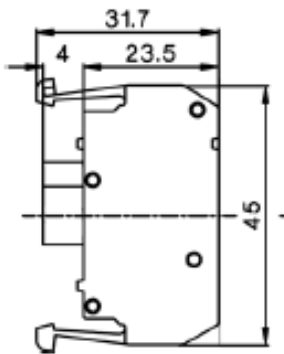
Actuators and Lens Caps 30mm

Panel mounting B3S

Mounting holes



Contact block B3T...



All dim. ± 0,2

Data according to cULus

Type	B3.
Contact Block for NO and NC General use Heavy pilot duty	600 V AC max. 10A A600
Lamp Holder with socket BA9s	240V 2,6W max.
Wire (Contact and lamp holder) Torque	14 - 18AWG 9 lb/in.