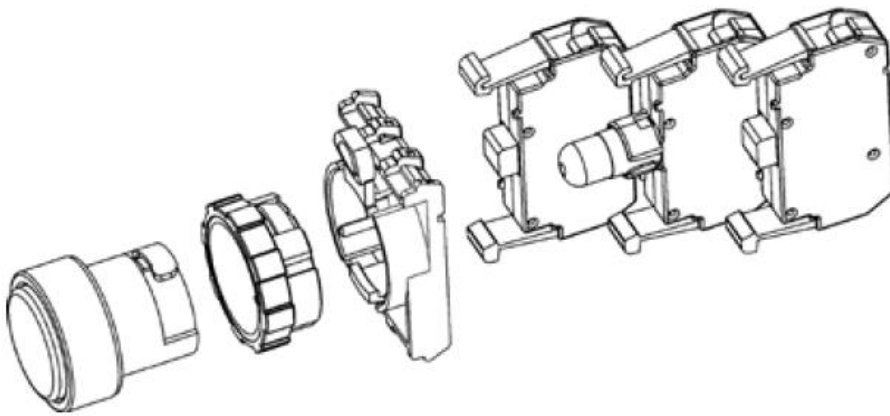


Pushbuttons & Pilot Devices

B3 Series, 22mm, IP65  Type 12

Features:

- Wiping action bi-furcated contacts for low voltage and signal switching applications
- Laser-etched markings ensure clear and long lasting identification.
- Climate and pollution resistant
- Custom markings are available
- Listed to IP65 / UL Type 12
- Available in individual parts, and kit form for convenience
- Easy to assemble with click together components:



Trim ring colours:



BS3.. = Black



BC3.. = Chrome



B3.. = Aluminum

Pushbuttons & Pilot Devices

B3 Series, 22mm, IP65  Type 12

Common actuator types:

Order Code	Function
B(..)3D ..	Momentary
B(..)3DL ..	Momentary Illuminated
B(..)3DR ..	Maintained
B(..)3DLR ..	Maintained Illuminated
B(..)3DT ..	Double Pushbutton
B(..)3KN..	Selector switch - Refer catalogue for full details
B(..)3KRN..	Swing knob selector switch - Refer catalogue for full details
B(..)3P..	Mushroom & E/Stop buttons - Refer catalogue for full details
B3R ..	Pilot light
B(..)3SA	Key operated

!Please refer to the catalogue on our website for the full range and technical information!

Actuator cap colours and order code:

- Green = GN
- White = WS
- Red = RT
- Yellow = GE
- Black = SW
- Blue = BL

A full selection of accessories for the B3 series including contact blocks, shrouds, lamps and lamp holders, enclosures, boots and more are available:



Pushbuttons & Pilot Devices

B3 Series, 22mm, IP65  Type 12

Individual piece ordering examples:



BC3D RT

Non maintained, chrome trim ring, red actuator



B3S

Connector Block (.5-4mm panel thickness)



B3T01

10A N/C Contact block



B3T10

10A N/O Contact block

Pushbutton kit ordering code example:



BS3D GN/10

Non maintained, black trim ring

Green Actuator cap

N/O Contact block

*Standard B3S connector is supplied with kits unless otherwise requested.

Please refer to the catalogue on our website for the complete range and full technical information!

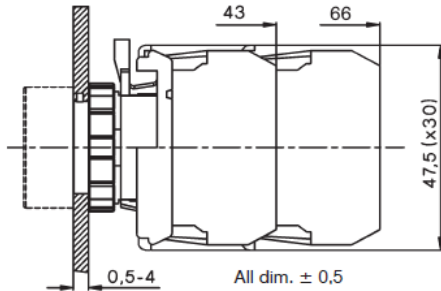
Pushbuttons & Pilot Devices

B3 Series, 22mm, IP65  Type 12

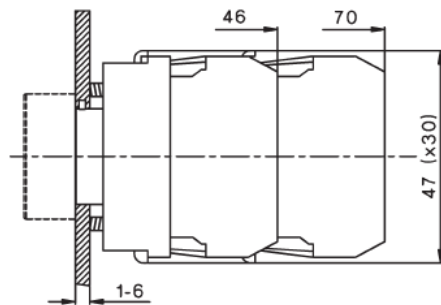
Dimensions

Actuators and Lens Caps 22mm

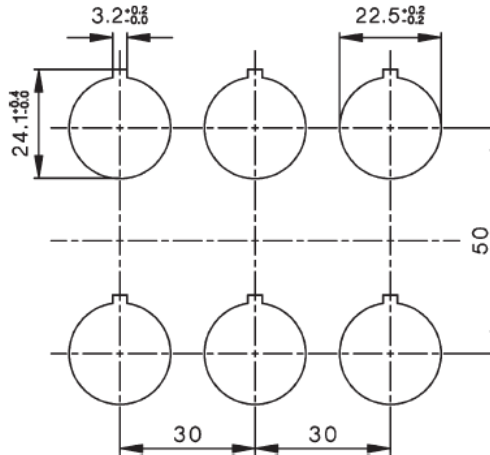
Panel mounting B3S



Panel mounting B3M

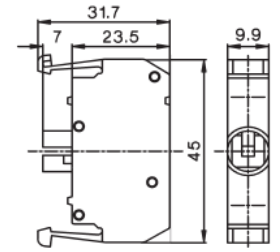


Mounting holes



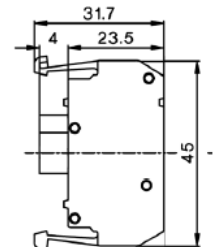
Dimensions of minimum space requirements according to IEC. Take to consideration the field of traverse of swing knobs (27mm) and the diameter of mushroom heads.

Contact blocks and Lamp Holder B3...



All dim. ± 0,2

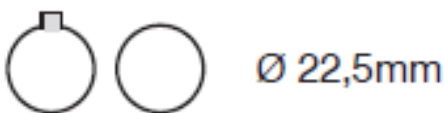
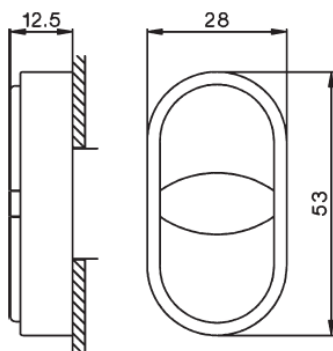
Contact block B3T...



All dim. ± 0,2

Double push button

B3DT



Data according to cULus Type

Type	B3.
Contact Block for NO and NC General use Heavy pilot duty	600 V AC max. 10A A600
Lamp Holder with socket BA9s	240V 2,6W max.
Wire (Contact and lamp holder) Torque	14 - 18AWG 9 lb/in.