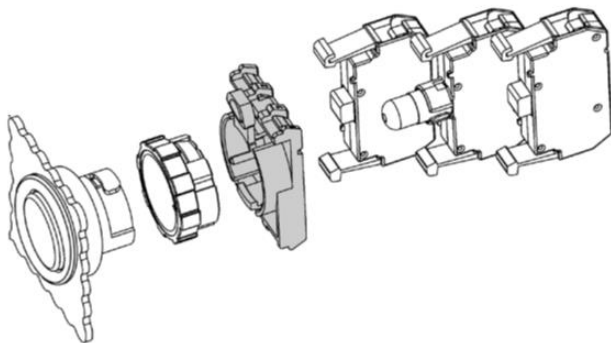


## Emergency Stop Buttons

B3 & B5 Series (22mm&30mm) IP65  Type 12

### Features:

- Wiping action bi-furcated contacts for low voltage and signal switching applications
- Laser-etched markings ensure clear and long lasting identification.
- Climate and pollution resistant
- Custom markings are available
- Listed to IP65 / UL Type 12
- Available in individual parts, and kit form for convenience
- Multiple release options (Twist to release, push pull, momentary, key operated etc)
- Easy to assemble with click together components:



### Trim ring colours:



BS.. = Black



BC.. = Chrome



B.. = Aluminum

## Emergency Stop Buttons

B3 & B5 Series (22mm&30mm) IP65  Type 12

### Common actuator types:

Order Code	Function
B(..) P44 RT	30mm Mushroom – Push to trip, pull to release
B(..) P44 S3	40mm Mushroom – Release by key
B(..) P3 RT-0	28mm Mushroom – Twist to release
B(..) P34 RT-0	40mm Mushroom – Twist to release
B(..) P34P RT	70mm Mushroom – Twist to release
BG10P34-11	Plastic enclosed E/stop – Twist to release (Includes 1N/O+1NC contact block_
B3-SK GE	Yellow Shroud for B3 series 22mm
B(..)-7603-12	70mm Yellow disk marked Emergency Stop

**!Please refer to the catalogue on our website for the full range and technical information!**

A full selection of accessories for the B3 & B5 series including contact blocks, shrouds, lamps and lamp holders, enclosures, boots and more are available:



# Emergency Stop Buttons

B3 & B5 Series (22mm&30mm) IP65  Type 12

Individual piece ordering examples:



**BS3P44**

28mm Mushroom, push/pull,  
black trim ring



**B3S**

Connector Block (.5-4mm  
panel thickness)



**B3T01**

10A N/C  
Contact block



**B3T10**

10A N/O  
Contact block

E/Stop kit ordering code example:



**B3P34 RT-0/11**

B3 Series, 22mm,  
Aluminium ring

40mm Mushroom, twist  
to release, marked 'O'

1NO&1NC  
Contact block

\*Standard B3S connector is supplied with kits unless otherwise requested.

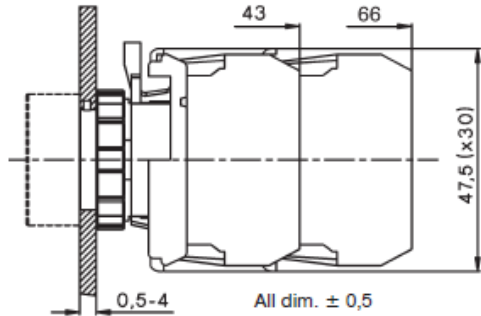
**Please refer to the catalogue on our website for the complete range and full technical information!**

## Emergency Stop Buttons

B3 & B5 Series (22mm&30mm) IP65  Type 12

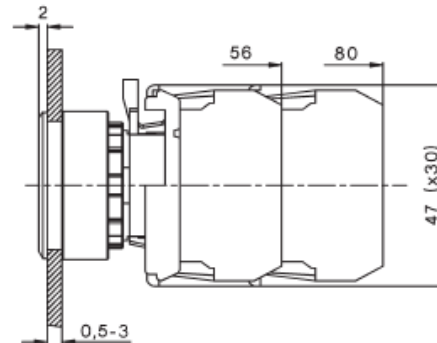
### Actuators and Lens Caps 22mm

Panel mounting B3S



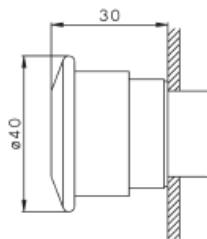
### Actuators and Lens Caps 30mm

Panel mounting B3S



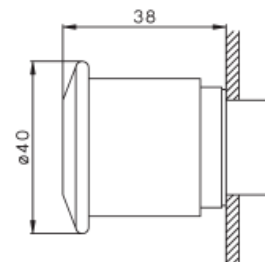
Push-and pull button Ø40mm

BS3P44



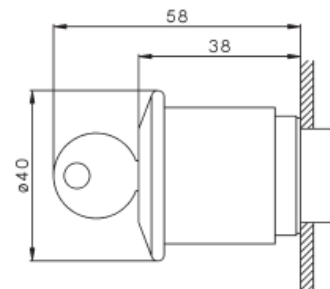
Push-and pull button Ø40mm

BS3P45



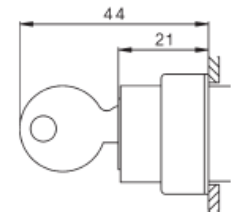
Push-and pull button Ø40mm

with key  
BS3P44S3



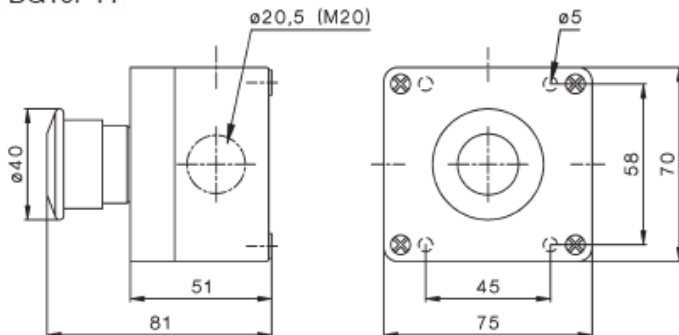
Lockable Push button

B3SAR., B3SAT.  
BS3SAR., BS3SAT.  
BC3SAR., BC3SAT.



### EMERGENCY STOP Push Button Ø40 mm

BG10P44



### Data according to cULus

Type	B3.
Contact Block for NO and NC General use Heavy pilot duty	600 V AC max. 10A A600
Lamp Holder with socket BA9s	240V 2,6W max.
Wire (Contact and lamp holder) Torque	14 - 18AWG 9 lb/in.