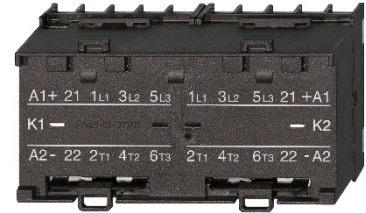
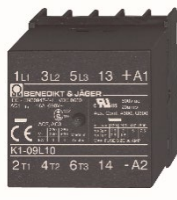


Mini Contactors: AC & DC Operated

Series K1-09 & K1-12 and Reversers K1W09 & K1W12



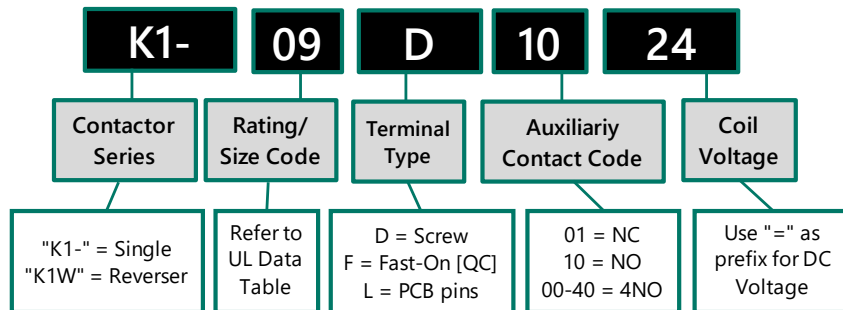
Data according to UL508



Main Contacts (cULus)

		Type	K1-09D.. K1W09D01	K1-09F..	K1-09L..	K1-07D..	K1-12D.. K1W12D01	HK..
Rated operational current "General Use"		A	15	15	20	10	20	10
Rated operational power of three-phase motors at 60Hz (3ph)	110-120V	hp	1½	1½	1½	-	2	-
	200-208V	hp	3	3	3	-	3	-
	220-240V	hp	3	3	3	-	3	-
	440-480V	hp	5	5	5	-	7½	-
	550-600V	hp	7½	7½	7½	-	10	-
Rated operational power of AC motors at 60Hz (1ph)	110-120V	hp	½	½	½	-	¾	-
	200-208V	hp	1	1	1	-	1½	-
	220-240V	hp	1½	1½	1½	-	2	-
Fuse / Short-circuit current		A/kA	30/5	30/5	30/5	-	30/5 600	-
Rated voltage		V AC	600	600	600 ¹⁾	600		600
Auxiliary Contacts (cULus)	heavy pilot duty	AC	A600	A600	A600	A600	A600	A600
	standard pilot duty	DC	Q600	Q600	Q600	Q600	Q600	Q600

Ordering Code Example:



Mini Contactors: AC & DC Operated

Series K1-09 & K1-12 and Reversers K1W09 & K1W12

Auxiliary Contact Blocks for Contactors K1-..

Ratings AC15 230V A		400V A	Thermal Rated Current A	Contacts ²⁾		Type
				NO	NC	
3	2		10	1	1	HKM11
3	2		10	-	2	HKM02
3	2		10	2	2	HKM22

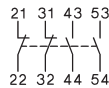
Aux. Contact Blocks

HKM11

HKM02

HKM22

Wiring Diagrams



Contactors with Auxiliary Contact Block
Contacts according to EN50012

K1-..D10	21	12	32	-	-	-	-
Contacts according to DIN EN50005							
K1-..D01	-	-	-	12	03	41	23
K1-..D00-40	-	-	-	11	02	40	22

Prefer combinations according to EN50012

Auxiliary Contact Blocks for Mini Reversing Contactors K1-..

Ratings AC15 230V A		400V A	Thermal Rated Current A	Contacts ²⁾		Type
				NO	NC	
3	2		10	1	1	HKM11V
3	2		10	1	1	HKM11X



Aux. Contact Blocks

HKM11V

HKM11X

Wiring Diagrams



Reversing Starter Connector



For Reversing Starter Types, incl. Coil Connector

Type

K1W09D..MC, K1W12D..MC	K1W-VB
------------------------	--------

²⁾ Contacts suitable for electronic circuits, according to EN947-5-4 for rated voltage 24V (test ratings 17V DC, 5mA) Mirror contacts acc. IEC60947-4-1 Annex F.