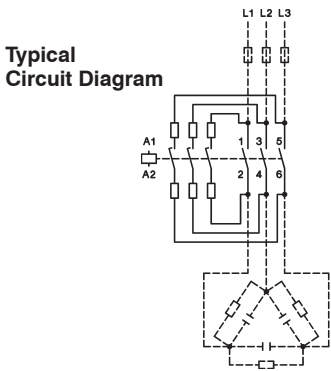


Capacitor Switching Contactors

Main Contacts (cULus)	Type	K3-18NK	K3-18NBK	K3-24K	K3-32K	K3-50K	K3-62K	K3-74K	K3-90K	K3-115K
Rated operational power of 3-phase cap. banks 110-120V at 60Hz (3ph) 200V	Ar	0-3,5	0-3,5	3-5,5	3-7	6,5-10	6,5-15	6,5-18 ¹⁾	10-24	10-28 ²⁾
	Ar	0-6	0-6	4,5-10	4,5-12,5	10-16,7	10-25	10-32 ¹⁾	17-40	17-46 ²⁾
	Ar	0-7	0-7	5,5-11	5,5-15	12,5-20	12,5-30	12,5-36 ¹⁾	20-47	20-56 ²⁾
	Ar	0-15	0-15	11,5-25	11,5-30	25-40	25-60	25-72 ¹⁾	40-95	40-114 ²⁾
550-	Ar	0-18	0-18	14,5-30	14,5-35	31-50	31-75	31-90 ¹⁾	50-120	50-143 ²⁾
Fuse Class RK5 / Short-circuit current	A/kA	70/5	70/5	90/5	125/5	200/5	250/5	300/5	300/10	300/10
Fuse Class T / Short-circuit current Rated voltage		80/100 600	80/100 600	110/100 600	150/100 600	175/100 600	175/100 600	175/100 600	300/100 ³⁾ 600	300/100 ³⁾ 600
Auxiliary Contacts (cULus)		A600	A600	-	-	-	-	-	-	-

- 1) Consider the max. thermal current of the contactor K3-7 : I_m 130A
- 2) Consider the min. cross-section of conductor at max. load
- 3) Class T and Class R

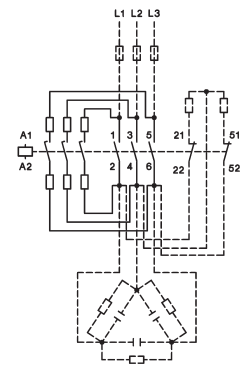


Wiring Diagram for Quick Discharge Resistors

Make sure that the current of the discharge resistors is not higher than the rated current (AC1) of the auxiliary contacts

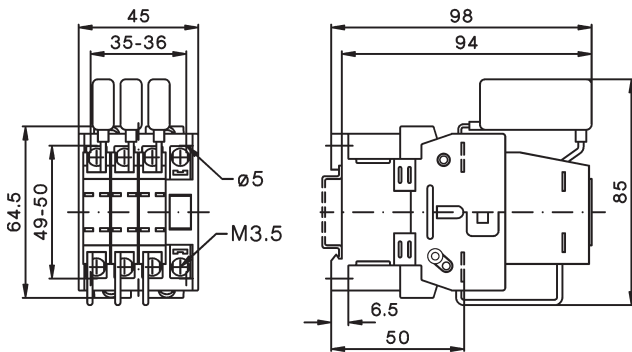
Mounting instructions:

In the area of capacitor switching contactors, difficulty inflammable and self-extinguishing materials shall be used only, because abnormal temperatures within the area of the resistor spirals cannot be excluded.

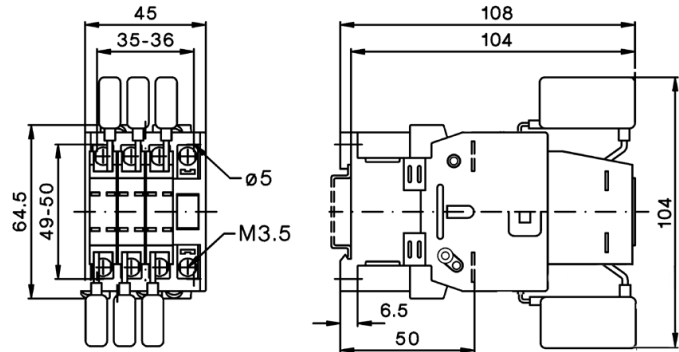


Dimensions

K3-18NK..

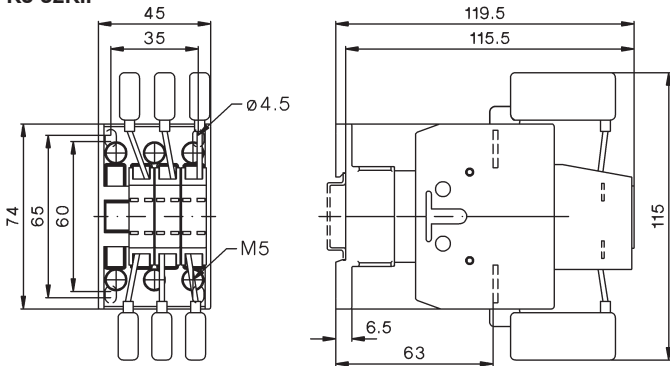


K3-18NBK..

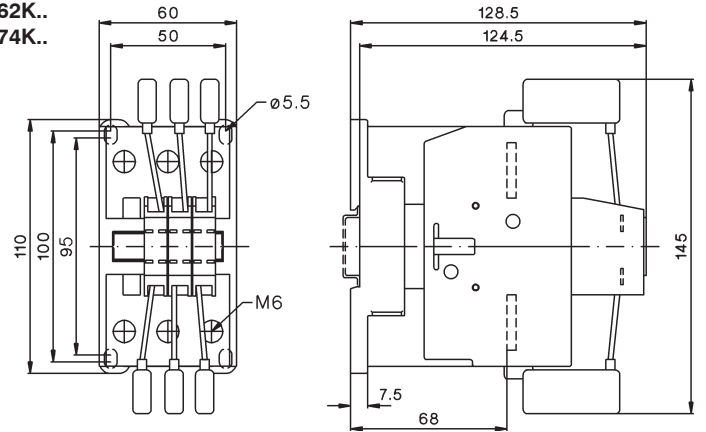


DATA SHEET

K3-24K..
K3-32K..



K3-50K..
K3-62K..
K3-74K..



K3-90K..
K3-115K..

